

LogiLink®

Professional Microphone Boom Arm

Art. No.: AA0161



360° Rotatable & Freely Adjustable to Your Needs

The perfect aluminum microphone boom arm for game streaming, podcasting and broadcasting. Compatible to most microphones with standard 5/8" or 3/8" thread.



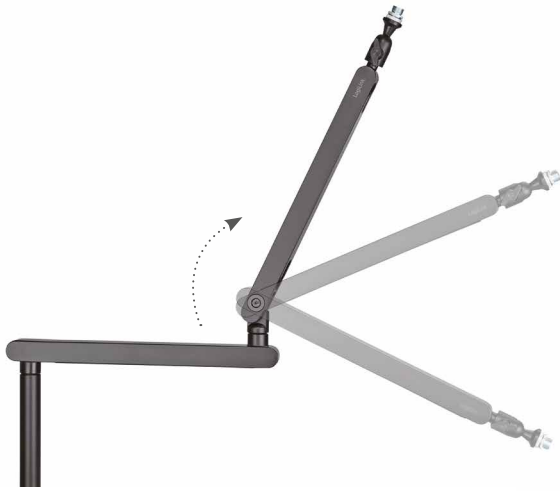
*The specifications and pictures are subject to change without prior notice.
*All trade names referenced are the registered trademarks of their respective owners.



Made in China

Fully Adjustable Head and Joints

180° rotatable with rotary knob to provide flexible and specific angle adjustments.



Detachable rise column enables 15 cm additional height.



The Boom Arm can be clamped or mount with grommet on any table.



Universal Adaptor

Suitable for any 3/8" or 5/8" thread size microphones.



Built-in Cable Management

Keeps everything organized with cable hidden.

Specification:

Material	Steel, plastic, aluminum
Weight Capacity	2 kg
Microphone Holder Type	3/8", 5/8"
Boom Arm Length	709 mm
Height Range	144–706 mm
Installation Methods	Desk clamp or grommet mount
Color	Black
Dimensions	70 x 483–755 x 144–706 mm

Package Contents:

- » 1 x Microphone Boom Arm
- » 1 x Detachable Rise Column
- » 1 x Screw Package
- » 1 x User Manual

Package Information:

- » Packing Dimension: 398 x 117 x 81 mm
- » Packing Weight: 2.02 kg
- » Carton Dimension: 410 x 365 x 270 mm
- » Carton Q'ty: 9 pcs
- » Carton Weight: 18.5 kg

