

LogiLink®

Standing Desk Converter with Keyboard Tray

Art. No.: EO0033



Standing Desk Converter creates a healthy work environment during your work day; switching between sitting and standing provides many benefits for your body.



RoHS
compliant

*The specifications and pictures are subject to change without prior notice.
*All trade names referenced are the registered trademarks of their respective owners.



LogiLink®

Standing Desk Converter with Keyboard Tray

Art. No.: EO0033



Stable Adjustment with Squeeze Handle

Scissor lift with gas spring structure creates smooth and quick transitions.

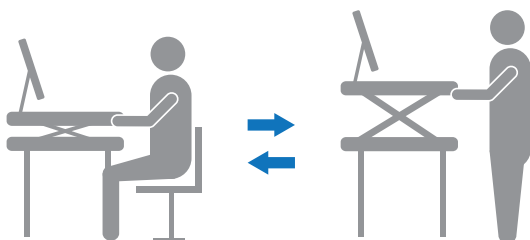
Individual Space for Keyboard

Lower platform keeps keyboard and mouse in an ergonomic position.



Built-in Slot Holder

Extra space for tablet or smartphone.



Never Locked in One Position

Effortlessly switch between sitting and standing.



*The specifications and pictures are subject to change without prior notice.
*All trade names referenced are the registered trademarks of their respective owners.



Made in China

Best Connectivity

LogiLink®

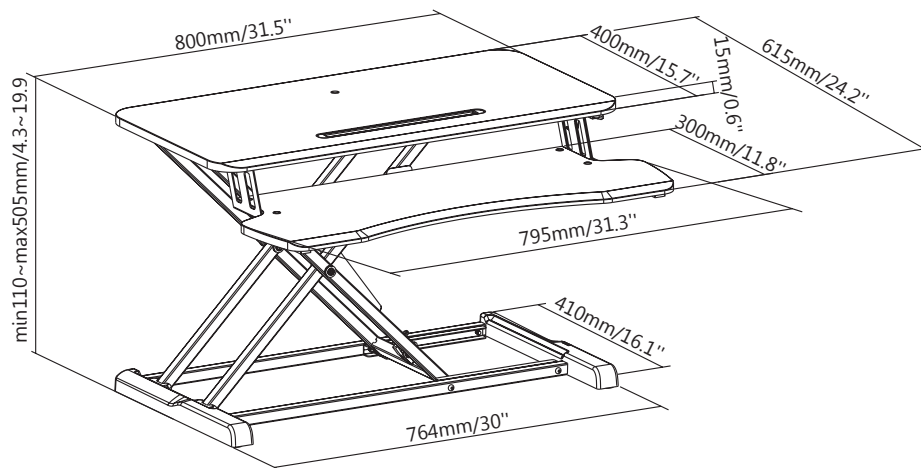


Standing Desk Converter with Keyboard Tray

Art. No.: EO0033

Specifications:

Material	Plastic, MDF, PVC, Steel
Worksurface Size(LxW)	800 x 400mm, 795 x 300mm
Worksurface Weight Capacity	15kg
Keyboard Tray Weight Capacity	2kg
Height Range	110-505mm
Color	Black
Dimension	800 x 615 x 110-505mm



Package Contents:

- » 1 x Standing Desk Converter
- » 1 x Screw Package
- » 1 x User Manual

Package Information:

- » Packing Dimension: 885 x 185 x 490mm
- » Packing Weight: 14.8kg
- » Carton Dimension: 885 x 185 x 490mm
- » Carton Q'ty: 1pcs
- » Carton Weight: 14.8kg



*The specifications and pictures are subject to change without prior notice.
*All trade names referenced are the registered trademarks of their respective owners.



Made in China

Best Connectivity