



Toolless Cat.6A Keystone Jack, Slim Type

Technical Features

Cat.6A Class EA, 500 MHz, 10 Gbit/s Ethernet

Test: ISO/IEC 11801 permanent link (PL2)

Slim design, only 16.3 mm width

Suitable for 22–24 AWG solid wire and 22–26 AWG stranded wire

Suitable for cable diameter 5–8.5 mm

Supports PoE, PoE+ and PoE++ applications

Art no.	Shielding Type	EAN Code
NK4071	STP	4052792074062
NK4072	UTP	4052792074079



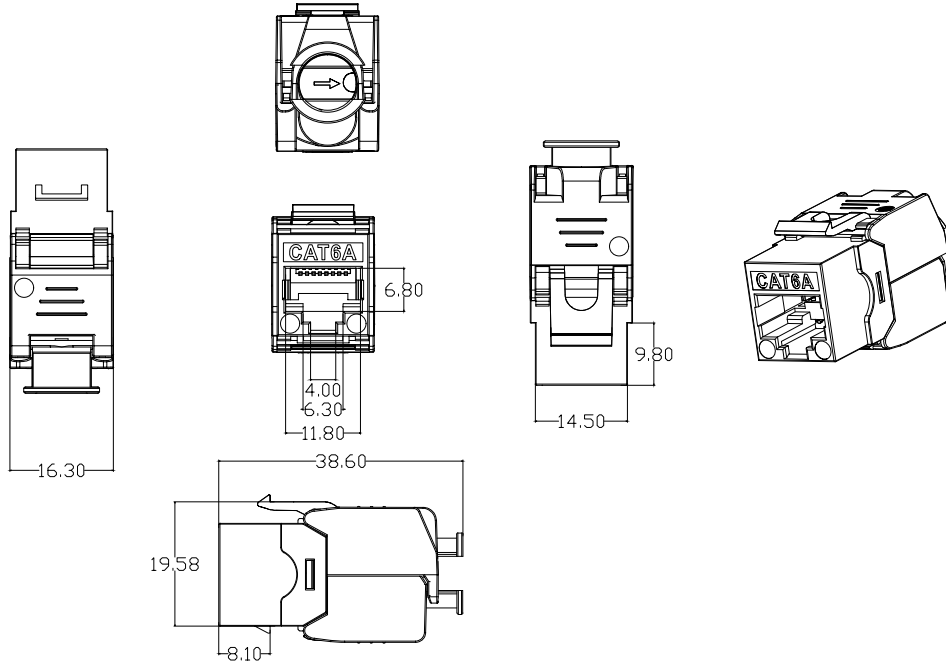
NK4071



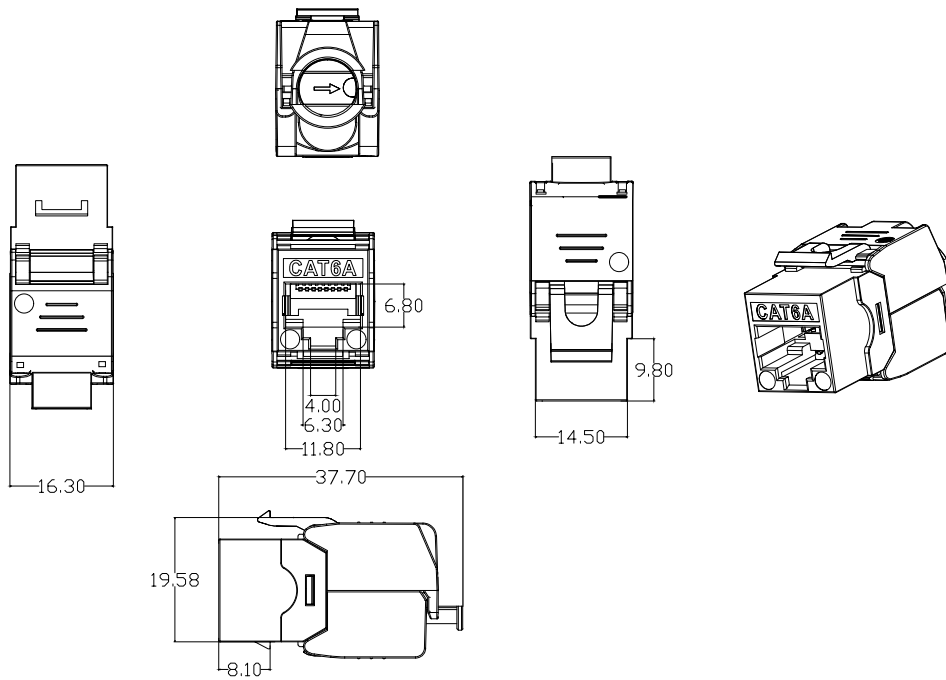
NK4072

Technical Drawing

NK4071



NK4072



Unit: mm

Package Content

Cat.6A Keystone Jack x 1

Packaging Information

Art no.	Packing Dimension	Packing Weight	Carton Dimension	Carton Q'ty	Packing Weight
NK4071	100 x 80 x 30 mm	0.028 kg	490 x 200 x 310 mm	500 pcs	14.8 kg
NK4072	100 x 80 x 30 mm	0.011 kg	490 x 200 x 310 mm	500 pcs	6.3 kg

