

# LogiLink®

## Monitor Wall Mount with Gas Spring Arm

Art. No.: BP0144  
BP0145  
BP0146



## Ergonomic Design for Home or Office

This Monitor Wall Mount with Gas Spring Arm series are great for saving desk space and increasing work comfort. Built-in gas springs for smooth movement; constructed from durable steel and aluminum to support monitor weights up to 9 kg per arm. Ergonomic adjustment includes swivel, tilt, rotation and full arm extension for the best viewing angles.



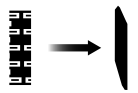
\*The specifications and pictures are subject to change without prior notice.  
\*All trade names referenced are the registered trademarks of their respective owners.



Tilt



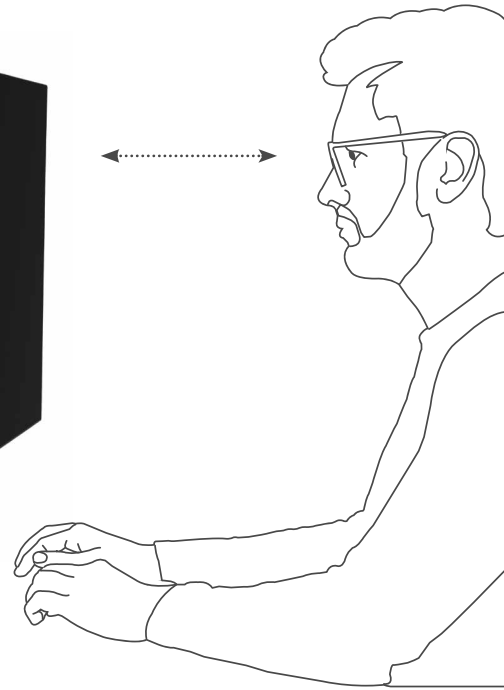
Swivel



Extend

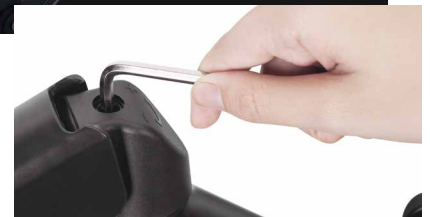
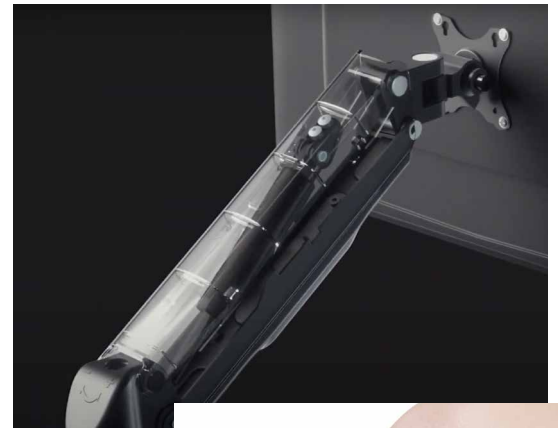
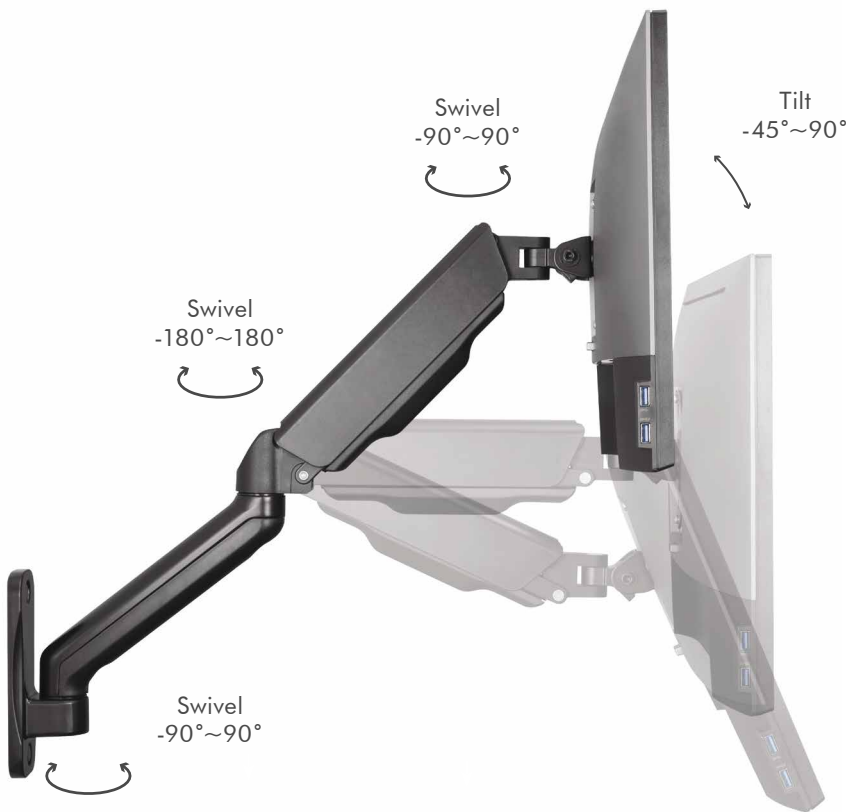
## Clutter-free & Ergonomic Design

Frees up your desktop, easily take the strain off of your neck and create better posture to increase work productivity.



## Smooth & Flexible Adjustment

Built-in gas spring mechanism offers exceptional range of motion to effortlessly swivel and tilt to your desired position.



Built-in spring tension gauge for weight adjustment.

## Quick & Easy Installation

Effortlessly mount your monitor using the Keyhole Pattern.

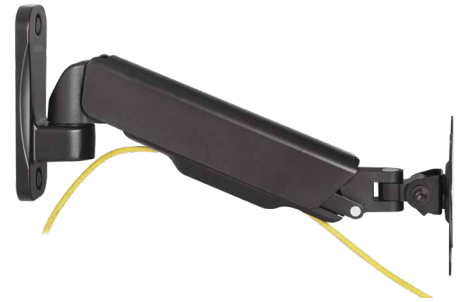


\*The specifications and pictures are subject to change without prior notice.  
\*All trade names referenced are the registered trademarks of their respective owners.



### Durable & Steady Construction

The high-quality mount ensures durability and stability; supporting monitor weights up to 9 kg. Integrated cable management creates a clean and tidy appearance.



### Specifications:



BP0144 for single monitor



BP0145 for single monitor

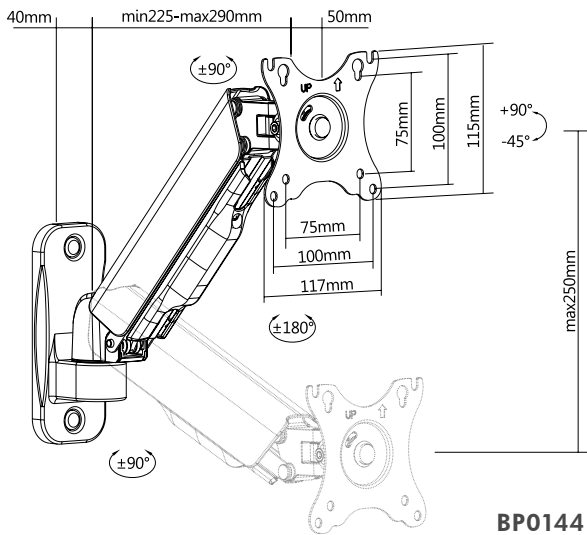


BP0146 for dual monitors

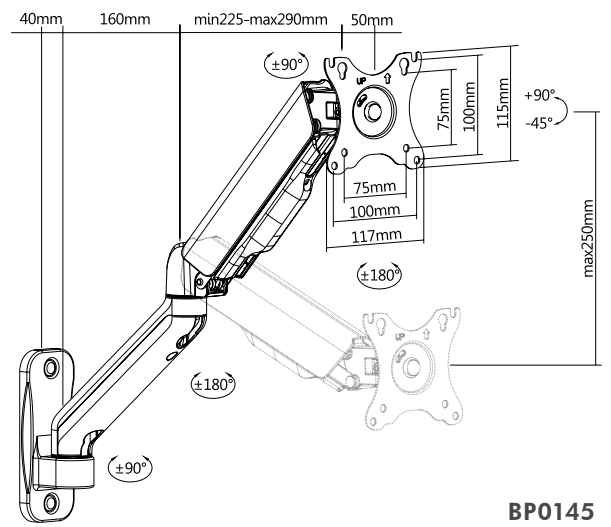
Screen Size	17"-32" flat/curved Monitors	17"-32" flat/curved Monitors	17"-32" flat/curved Monitors
Weight Capacity	2-9 kg	2-9 kg	2-9 kg (per screen)
VESA Plate Compatible	75x75, 100x100 mm	75x75, 100x100 mm	75x75, 100x100 mm
Wall Clearance	90-380 mm	90-540 mm	90-540 mm
Arm Full Extension	290 mm	450 mm	450 mm
Tilt	-45°-90°	-45°-90°	-45°-90°
Swivel	-90°-90°	-90°-90°	-90°-90°
Screen Rotation	360°	360°	360°
Materials	Aluminum, Plastic, Steel	Aluminum, Plastic, Steel	Aluminum, Plastic, Steel
Color	Black	Black	Black
Dimensions	117x315x321 mm	117x475x491 mm	970x90x497 mm
EAN Code	4052792063127	4052792063134	4052792063141



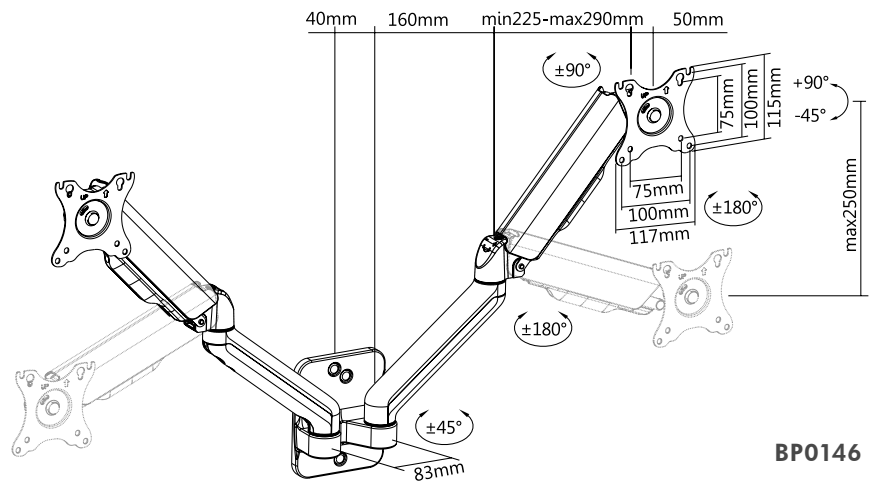
\*The specifications and pictures are subject to change without prior notice.  
\*All trade names referenced are the registered trademarks of their respective owners.



BP0144



BP0145



BP0146

### Package Contents:

- » 1x Monitor Wall Mount
- » 1x Screw Package
- » 1x User Manual

### Package Information:

Art-No.	Packing Dimension	Packing Weight	Carton Dimension	Carton Q'ty	Carton Weight
BP0144	440x195x90 mm	1.76 kg	440x195x90 mm	1 pcs	1.76 kg
BP0145	405x305x90 mm	2.24 kg	405x305x90 mm	1 pcs	2.24 kg
BP0146	405x290x155 mm	4.1 kg	405x290x155 mm	1 pcs	4.1 kg



\*The specifications and pictures are subject to change without prior notice.  
 \*All trade names referenced are the registered trademarks of their respective owners.