



LogiLink®

Sit-Stand Desk Converter with Keyboard Tray

Art. No.: EO0053



Raise Your Monitor & Free Up Desk Space

Creates a healthy work environment during your work day; switching between sitting and standing provides many benefits for your body.



*The specifications and pictures are subject to change without prior notice.
*All trade names referenced are the registered trademarks of their respective owners.



EO0053



4 052792 071467

Made in China



Stable Adjustment with Squeeze Handle

Scissor lift with gas spring mechanism creates smooth and quick transitions.

Large Keyboard & Mouse Tray

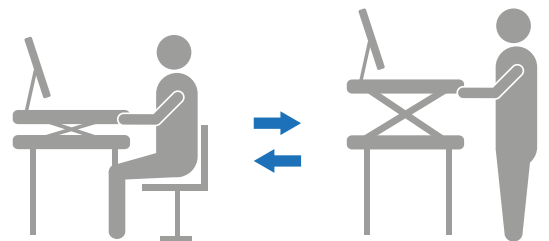
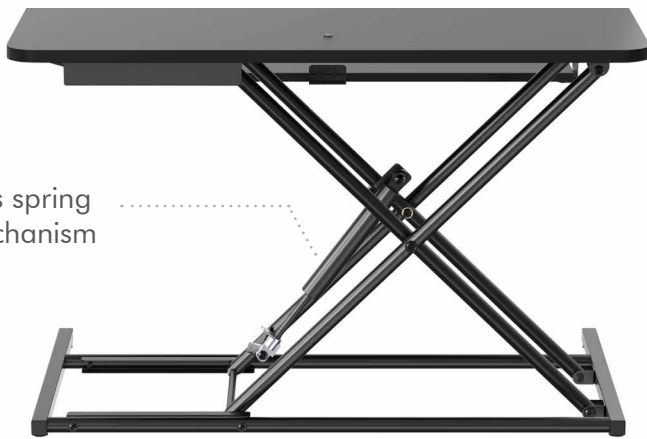
Provides comfort for your wrists.

Non-Skid Silicone Pads

Protects the work surface from scratches or scuffs.



Gas spring mechanism



Never Locked in One Position

Effortlessly switch between sitting and standing.



*The specifications and pictures are subject to change without prior notice.
 *All trade names referenced are the registered trademarks of their respective owners.



EO0053



Made in China

Specifications:

Material	Particle board & melamine, steel, plastic
Worksurface Size (LxW)	800 x 400 mm, 660 x 260 mm
Worksurface Weight Capacity	15 kg
Keyboard Tray Weight Capacity	2 kg
Height Range	110–500 mm
Dimensions	800 x 580 x 110–500 mm
Color	Black

Package Contents:

- » 1 x Sit-Stand Desk Converter
- » 1 x Screw Package
- » 1 x User Manual

Package Information:

- » Packing Dimension: 885 x 185 x 505 mm
- » Packing Weight: 12.1 kg
- » Carton Dimension: 885 x 185 x 505 mm
- » Carton Q'ty: 1 pc
- » Carton Weight: 12.1 kg

