



FTTH Termination Box 2 x SC/APC with Installation Cable

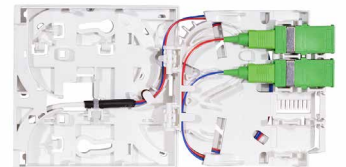
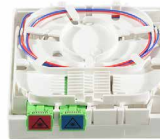
Technical Features

Fiber to the home termination box, fully assembled

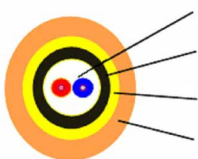
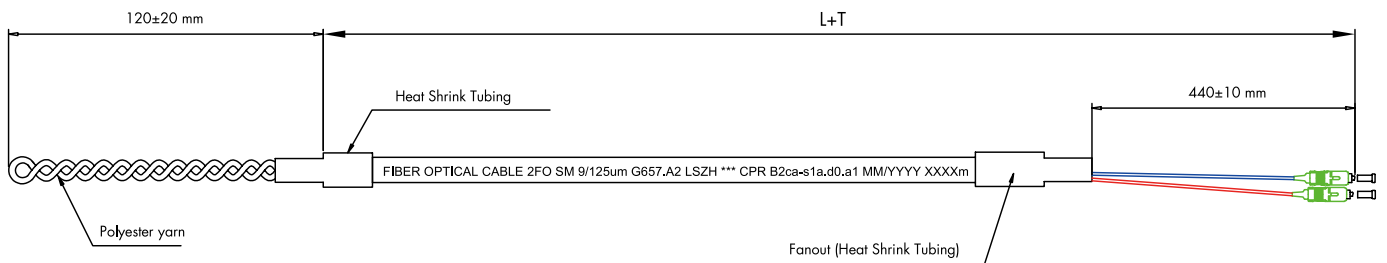
With 2-core breakout cable (easy to strip + easy to push out)

Prefabricated on one side with 2x SC/APC connector and adapter

Art No.	Length	EAN Code
FB2SC20	20 m	4052792066487
FB2SC30	30 m	4052792066494
FB2SC40	40 m	4052792066500
FB2SC50	50 m	4052792066517



Technical Drawings



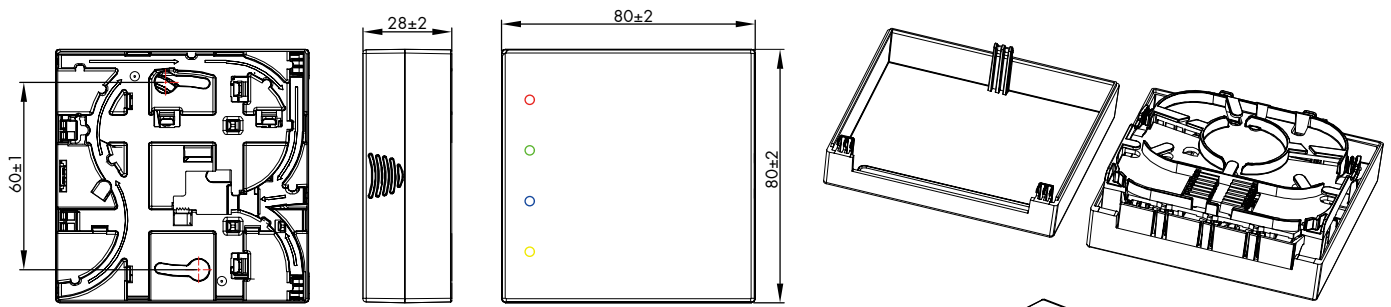
Colored Coating Fiber: 250µm±15µm
 Inner Jacket
 Polyester yarn
 Outer Jacket: White (RAL9001) 2.2mm±0.2mm

Test:

Test Grade Designation: Each to Each		
Grade 1L/RL	Grade B/1	
Insertion Loss (IL)	97%≤0.25dB mean≤0.12dB	IEC 61300-3-4
Return Loss (RL)	≥60dB	IEC 61300-3-6
Test Wavelength	1310nm	Single-Mode
End Face Inspection	×400	

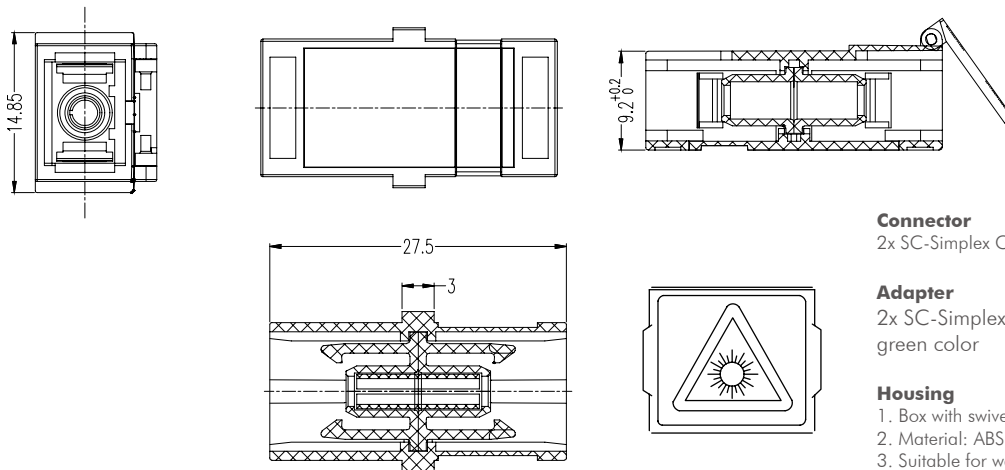
Cable

1. Single-mode fibre OS2 9/125 G657.A2, LSZH, 2 cores, 2.2 mm cable
2. Flame Retardant IEC 603321-2, Halogenfree IEC 60754-2, Smoke density IEC 61034
3. Reaction to fire: CPR Class B2ca certified
4. Color: White RAL 9001



Accessories

Screw ST3.0x20 mm for 2 sets



Connector

2x SC-Simplex Connector APC 8°, with pigtail, green color

Adapter

2x SC-Simplex Adapter without flange, APC 8°, Grade B/1, green color

Housing

1. Box with swivelling splice tray including crimping splice holder
2. Material: ABS+PC (UL94-V0), for indoor use (IP20)
3. Suitable for wall mounting or Din-rail mounting (35 mm)
4. Color: White (RAL 9001)

Package Content

1x FTTH Termination Box 2 x SC/APC

Packaging Information

Art no.	Packing Dimension	Packing Weight	Carton Dimension	Carton Q'ty	Packing Weight
FB2SC20	250 x 235 x 50 mm	0.28 kg	480 x 265 x 260 mm	10 pcs	3.54 kg
FB2SC30	250 x 235 x 50 mm	0.33 kg	480 x 265 x 260 mm	10 pcs	4.04 kg
FB2SC40	250 x 235 x 50 mm	0.37 kg	480 x 265 x 260 mm	10 pcs	4.44 kg
FB2SC50	250 x 235 x 50 mm	0.42 kg	480 x 265 x 260 mm	10 pcs	4.94 kg