



Cat.6A S/FTP PIMF Patch Cable

Technical Features

Cat.7 600 MHz 10 Gigabit raw cable

S/FTP 26/7 AWG Cu, pairs in metal foil

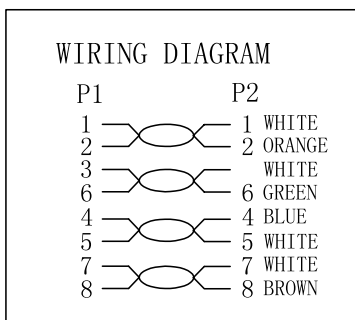
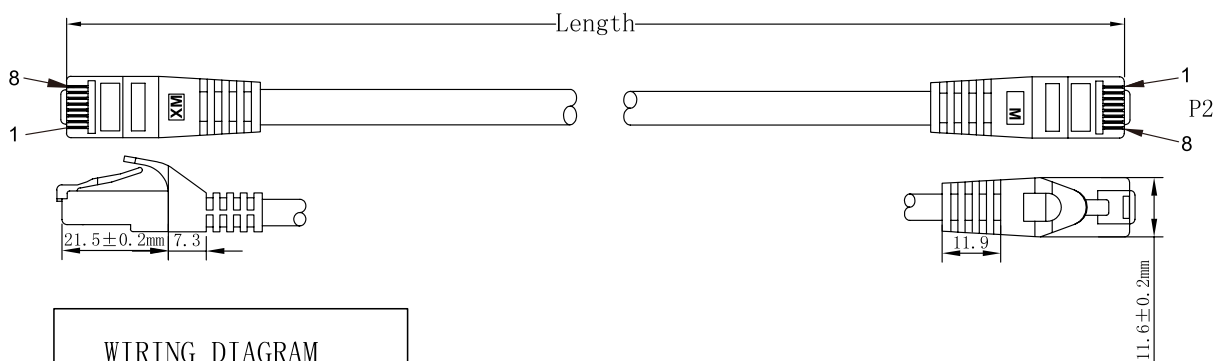
Cat.6A RJ45 Plug, gold plated

LSZH Halogen free jacket

7 kV impulse voltage test according to EN IEC 60664-1:2020

ISO/IEC11801, EN50173-1, TIA/EIA568B-2.1

Technical Drawings



www.2direct.de



Made in China

*The specifications and pictures are subject to change without prior notice.
*All trade names referenced are the registered trademarks of their respective owners.

Length	White	EAN Code
0.25 m	CQ4011S	4052792032109
0.50 m	CQ4021S	4052792032123
1.00 m	CQ4031S	4052792032130
1.50 m	CQ4041S	4052792033175
2.00 m	CQ4051S	4052792032154
3.00 m	CQ4061S	4052792032161
5.00 m	CQ4071S	4052792032178
7.50 m	CQ4081S	4052792032185
10.00 m	CQ4091S	4052792032192
15.00 m	CQ4101S	4052792032208
20.00 m	CQ4111S	4052792032215
30.00 m	CQ4121S	4052792032222
50.00 m	CQ4141S	4052792032239



Length	Grey	EAN Code	Black	EAN Code
0.25 m	CQ4012S	4052792032246	CQ4013S	4052792032376
0.50 m	CQ4022S	4052792032253	CQ4023S	4052792032383
1.00 m	CQ4032S	4052792032260	CQ4033S	4052792032390
1.50 m	CQ4042S	4052792033182	CQ4043S	4052792033212
2.00 m	CQ4052S	4052792032284	CQ4053S	4052792032413
3.00 m	CQ4062S	4052792032291	CQ4063S	4052792032420
5.00 m	CQ4072S	4052792032307	CQ4073S	4052792032437
7.50 m	CQ4082S	4052792032314	CQ4083S	4052792032444
10.00 m	CQ4092S	4052792032321	CQ4093S	4052792032451
15.00 m	CQ4102S	4052792033205	CQ4103S	4052792033229
20.00 m	CQ4112S	4052792032345	CQ4113S	4052792033236
30.00 m			CQ4123S	4052792044942
50.00 m			CQ4143S	4052792044959

Length	Orange	EAN Code	Purple	EAN Code
0.25 m	CQ4018S	4052792032550	CQ4019S	4052792032468
0.50 m	CQ4028S	4052792032567	CQ4029S	4052792032475
1.00 m	CQ4038S	4052792032574	CQ4039S	4052792032482
1.50 m	CQ4048S	4052792033243	CQ4049S	4052792033298
2.00 m	CQ4058S	4052792032598	CQ4059S	4052792032505
3.00 m	CQ4068S	4052792032604	CQ4069S	4052792032512
5.00 m	CQ4078S	4052792032611	CQ4079S	4052792032529
7.50 m	CQ4088S	4052792032628	CQ4089S	4052792032536
10.00 m	CQ4098S	4052792032635	CQ4099S	4052792032543
15.00 m	CQ4108S	4052792033250	CQ4109S	4052792033274
20.00 m	CQ4118S	4052792033267	CQ4119S	4052792033281

Package Content

Cat.6A S/FTP PIMF Patch Cable x 1

Packaging Information

Art-No.	Packing Dimension	Packing Weight	Carton Dimension	Carton Q'ty	Carton Weight
CQ4011S	30 x 36 x 15 mm	0.02 kg	400 x 300 x 300 mm	450 pcs	10 kg
CQ4021S	150 x 200 x 15 mm	0.03 kg	400 x 300 x 300 mm	260 pcs	8.4 kg
CQ4031S	150 x 200 x 15 mm	0.05 kg	400 x 300 x 300 mm	180 pcs	9.5 kg
CQ4041S	150 x 200 x 15 mm	0.06 kg	400 x 300 x 300 mm	120 pcs	8 kg
CQ4051S	150 x 200 x 20 mm	0.077 kg	400 x 300 x 300 mm	100 pcs	8.6 kg
CQ4061S	200 x 250 x 30 mm	0.11 kg	400 x 300 x 300 mm	80 pcs	9.5 kg
CQ4071S	200 x 250 x 30 mm	0.18 kg	400 x 300 x 300 mm	50 pcs	9.7 kg
CQ4081S	200 x 250 x 30 mm	0.246 kg	400 x 300 x 300 mm	35 pcs	9.4 kg
CQ4091S	200 x 250 x 60 mm	0.33 kg	400 x 300 x 300 mm	30 pcs	11 kg
CQ4101S	250 x 300 x 80 mm	0.49 kg	400 x 300 x 300 mm	20 pcs	11 kg
CQ4111S	250 x 300 x 80 mm	0.68 kg	400 x 300 x 300 mm	18 pcs	13.2 kg
CQ4121S	300 x 350 x 90 mm	0.93 kg	400 x 300 x 300 mm	14 pcs	13.9 kg
CQ4141S	350 x 400 x 90 mm	1.5 kg	400 x 300 x 300 mm	8 pcs	13.2 kg

www.2direct.de



Made in China

*The specifications and pictures are subject to change without prior notice.
*All trade names referenced are the registered trademarks of their respective owners.

Packaging Information

Art-No.	Packing Dimension	Packing Weight	Carton Dimension	Carton Q'ty	Carton Weight
CQ4012S	30 x 36 x 15 mm	0.02 kg	400 x 300 x 300 mm	450 pcs	10 kg
CQ4022S	150 x 200 x 15 mm	0.03 kg	400 x 300 x 300 mm	260 pcs	8.4 kg
CQ4032S	150 x 200 x 15 mm	0.05 kg	400 x 300 x 300 mm	180 pcs	9.5 kg
CQ4042S	150 x 200 x 15 mm	0.06 kg	400 x 300 x 300 mm	120 pcs	8 kg
CQ4052S	150 x 200 x 20 mm	0.077 kg	400 x 300 x 300 mm	100 pcs	8.6 kg
CQ4062S	200 x 250 x 30 mm	0.11 kg	400 x 300 x 300 mm	80 pcs	9.5 kg
CQ4072S	200 x 250 x 30 mm	0.18 kg	400 x 300 x 300 mm	50 pcs	9.7 kg
CQ4082S	200 x 250 x 30 mm	0.246 kg	400 x 300 x 300 mm	35 pcs	9.4 kg
CQ4092S	200 x 250 x 60 mm	0.33 kg	400 x 300 x 300 mm	30 pcs	11 kg
CQ4102S	250 x 300 x 80 mm	0.49 kg	400 x 300 x 300 mm	20 pcs	11 kg
CQ4112S	250 x 300 x 80 mm	0.68 kg	400 x 300 x 300 mm	18 pcs	13.2 kg

Art-No.	Packing Dimension	Packing Weight	Carton Dimension	Carton Q'ty	Carton Weight
CQ4013S	30 x 36 x 15 mm	0.02 kg	400 x 300 x 300 mm	450 pcs	10 kg
CQ4023S	150 x 200 x 15 mm	0.03 kg	400 x 300 x 300 mm	260 pcs	8.4 kg
CQ4033S	150 x 200 x 15 mm	0.05 kg	400 x 300 x 300 mm	180 pcs	9.5 kg
CQ4043S	150 x 200 x 15 mm	0.06 kg	400 x 300 x 300 mm	120 pcs	8 kg
CQ4053S	150 x 200 x 20 mm	0.077 kg	400 x 300 x 300 mm	100 pcs	8.6 kg
CQ4063S	200 x 250 x 30 mm	0.11 kg	400 x 300 x 300 mm	80 pcs	9.5 kg
CQ4073S	200 x 250 x 30 mm	0.18 kg	400 x 300 x 300 mm	50 pcs	9.7 kg
CQ4083S	200 x 250 x 30 mm	0.246 kg	400 x 300 x 300 mm	35 pcs	9.4 kg
CQ4093S	200 x 250 x 60 mm	0.33 kg	400 x 300 x 300 mm	30 pcs	11 kg
CQ4103S	250 x 300 x 80 mm	0.49 kg	400 x 300 x 300 mm	20 pcs	11 kg
CQ4113S	250 x 300 x 80 mm	0.68 kg	400 x 300 x 300 mm	18 pcs	13.2 kg
CQ4123S	300 x 350 x 90 mm	0.93 kg	400 x 300 x 300 mm	14 pcs	13.9 kg
CQ4143S	350 x 400 x 90 mm	1.5 kg	400 x 300 x 300 mm	8 pcs	13.2 kg

Packaging Information

Art-No.	Packing Dimension	Packing Weight	Carton Dimension	Carton Q'ty	Carton Weight
CQ4018S	30 x 36 x 15 mm	0.02 kg	400 x 300 x 300 mm	450 pcs	10 kg
CQ4028S	150 x 200 x 15 mm	0.03 kg	400 x 300 x 300 mm	260 pcs	8.4 kg
CQ4038S	150 x 200 x 15 mm	0.05 kg	400 x 300 x 300 mm	180 pcs	9.5 kg
CQ4048S	150 x 200 x 15 mm	0.06 kg	400 x 300 x 300 mm	120 pcs	8 kg
CQ4058S	150 x 200 x 20 mm	0.077 kg	400 x 300 x 300 mm	100 pcs	8.6 kg
CQ4068S	200 x 250 x 30 mm	0.11 kg	400 x 300 x 300 mm	80 pcs	9.5 kg
CQ4078S	200 x 250 x 30 mm	0.18 kg	400 x 300 x 300 mm	50 pcs	9.7 kg
CQ4088S	200 x 250 x 30 mm	0.246 kg	400 x 300 x 300 mm	35 pcs	9.4 kg
CQ4098S	200 x 250 x 60 mm	0.33 kg	400 x 300 x 300 mm	30 pcs	11 kg
CQ4108S	250 x 300 x 80 mm	0.49 kg	400 x 300 x 300 mm	20 pcs	11 kg
CQ4118S	250 x 300 x 80 mm	0.68 kg	400 x 300 x 300 mm	18 pcs	13.2 kg

Art-No.	Packing Dimension	Packing Weight	Carton Dimension	Carton Q'ty	Carton Weight
CQ4019S	30 x 36 x 15 mm	0.02 kg	400 x 300 x 300 mm	450 pcs	10 kg
CQ4029S	150 x 200 x 15 mm	0.03 kg	400 x 300 x 300 mm	260 pcs	8.4 kg
CQ4039S	150 x 200 x 15 mm	0.05 kg	400 x 300 x 300 mm	180 pcs	9.5 kg
CQ4049S	150 x 200 x 15 mm	0.06 kg	400 x 300 x 300 mm	120 pcs	8 kg
CQ4059S	150 x 200 x 20 mm	0.077 kg	400 x 300 x 300 mm	100 pcs	8.6 kg
CQ4069S	200 x 250 x 30 mm	0.11 kg	400 x 300 x 300 mm	80 pcs	9.5 kg
CQ4079S	200 x 250 x 30 mm	0.18 kg	400 x 300 x 300 mm	50 pcs	9.7 kg
CQ4089S	200 x 250 x 30 mm	0.246 kg	400 x 300 x 300 mm	35 pcs	9.4 kg
CQ4099S	200 x 250 x 60 mm	0.33 kg	400 x 300 x 300 mm	30 pcs	11 kg
CQ4109S	250 x 300 x 80 mm	0.49 kg	400 x 300 x 300 mm	20 pcs	11 kg
CQ4119S	250 x 300 x 80 mm	0.68 kg	400 x 300 x 300 mm	18 pcs	13.2 kg