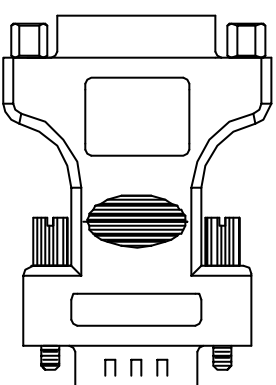
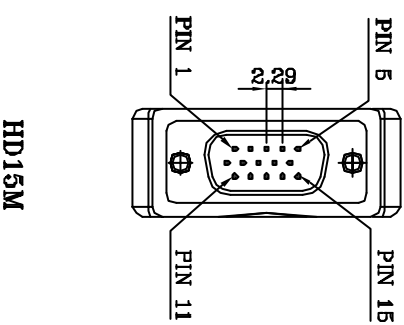
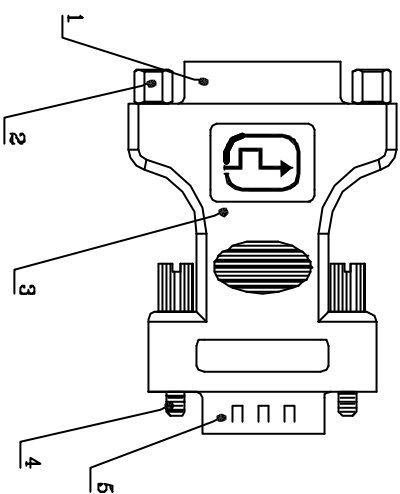
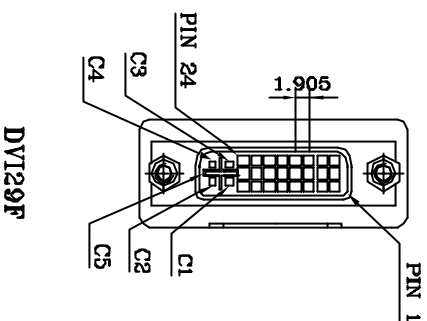
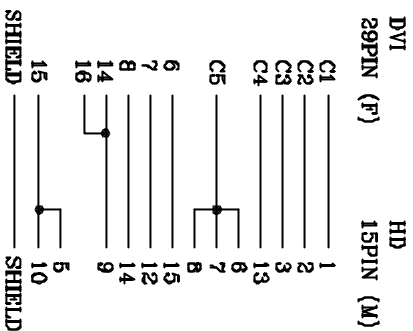


ROHS = COMPLIANT

LTR	REV.	DESCRIPTION	DATE
△	B	ECN # 060424-5 EDIT CONNECTOR	04/24/06



- 100% OPEN / SHORT / INSULATING TEST
- INSULATION TEST: 5MΩ
- PACKING: <1>EACH PC / POLYBAG + EAN CODE LABEL & ROHS LABEL
<2>EACH CARTON / ROHS LABEL(L*W=35*22mm)
- EAN CODE:4260113560174

COMPONENTS	DESCRIPTION	Q'TY
1 DVI29F	DVI-Integrated 29P Female Connector Insulator: High Temperature Plastic UL-94V-0 Contact: Phosphor Bronze Metal Board Lock: Zinc Alloy With Tin Plating 150μ" Over Shell: Zinc Alloy With Nickel Plated Contact Plating: G/F Selective Plating And Tin/LEAD On Solder Tail All With Nickel Underplating UNC #4-40 Nickel Plated	1
2 Screw Look	P.V.C Molded Color:BLACK(NK-K01)	2
3 Hood	Inner Molded With Copper Foil Shielded	1
4 Jack Screw	UNC #4-40 Nickel Plated	2
5 HD15M	D-SUB High Density 2.29mm 15P Male Connector Shell: Steel Nickel Plated Insulator: Black. P.B.T Contact: Brass G/F Gold Plated	1

Tolerance	Inch	M/M
.X	.015	.30
.XX	.010	.10
.XXX	.005	.05

DRGW
FANNIE 04/24/06

Customer P/N: ADD0002

2DIRECT GMBH

Title
DVI_I/F - HDB15/M ADAPTOR

Check	App'd	Customer	E-DIR
Engr	Scale NONE	Units m/mm	Third Angle Projection
	Dwg No. 160-1295	REV: B	Sheet 1/2