



CAT8.1 S/FTP Patch Cable

Technical Features

Premium CAT 8.1 Round Patch Cord

Cat.8.1 Class I ISO11801 channel tested

Application: 40G Base-T, PoE+, PoE++

Wire: 4 x 2 x 26/7 AWG bare copper

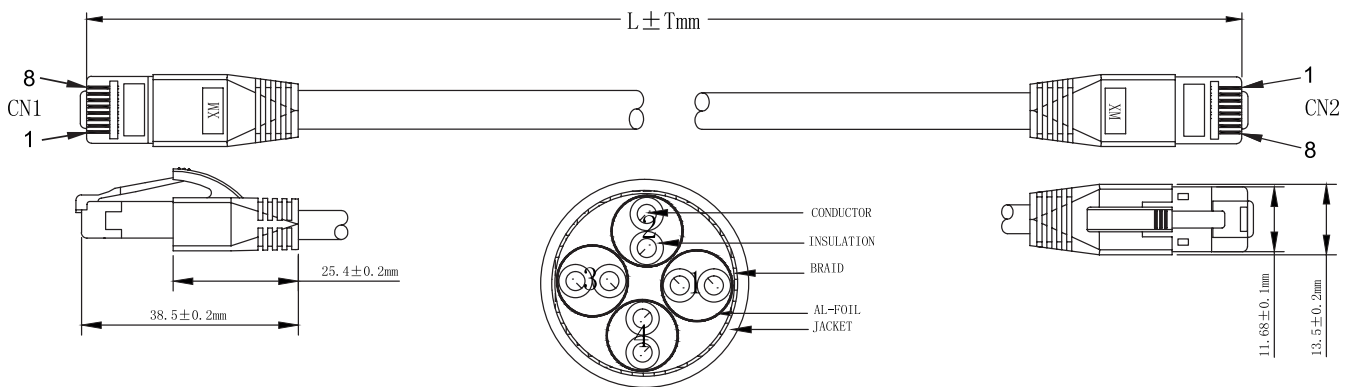
Shielding: Overall screen, pairs in metal foil (PiMF)

Cable: LSZH sheath, 6.2mm cable OD

Plug: RJ45, shielded, 50 μ gold plated contacts

Color of cable: Light grey RAL7035

Technical Drawing



Art-No.	Cable Length	EAN Code
CQ8022S	0.5m	4052792051926
CQ8032S	1m	4052792051933
CQ8042S	1.5m	4052792051940
CQ8052S	2m	4052792051957
CQ8062S	3m	4052792051964
CQ8072S	5m	4052792051971
CQ8092S	10m	4052792051988
CQ8102S	15m	4052792052145

Package Content

CAT8.1 S/FTP Patch Cable x 1

Packaging Information

Art-No.	Packing Dimension	Packing Weight	Carton Dimension	Carton Q'ty	Carton Weight
CQ8022S	180 x 130 x 15mm	0.0340kg	400 x 300 x 300mm	200pcs	7.6kg
CQ8032S	180 x 180 x 11mm	0.0544kg	400 x 300 x 300mm	140pcs	8.4kg
CQ8042S	195 x 195 x 15mm	0.0745kg	400 x 300 x 300mm	100pcs	8.1kg
CQ8052S	185 x 185 x 16mm	0.0930kg	400 x 300 x 300mm	80pcs	8.2kg
CQ8062S	185 x 185 x 20mm	0.1320kg	400 x 300 x 300mm	60pcs	8.6kg
CQ8072S	185 x 185 x 23mm	0.2104kg	400 x 300 x 300mm	40pcs	9.1kg
CQ8092S	190 x 190 x 40mm	0.3954kg	400 x 300 x 300mm	25pcs	11.2kg
CQ8102S	220 x 220 x 45mm	0.6010kg	400 x 300 x 300mm	18pcs	11.5kg

