

# LogiLink®

## Single Motor Sit-Stand Desk Frame

Art. No.: EO0029  
EO0029G  
EO0029W



Ideal for using at home or the office to create a comfortable workstation. Switch between sitting or standing easily with a push of a button.

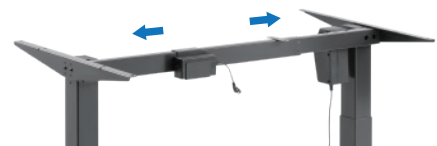


### Precision-Crafted Design

Sturdy construction; assembly is quick and easy.

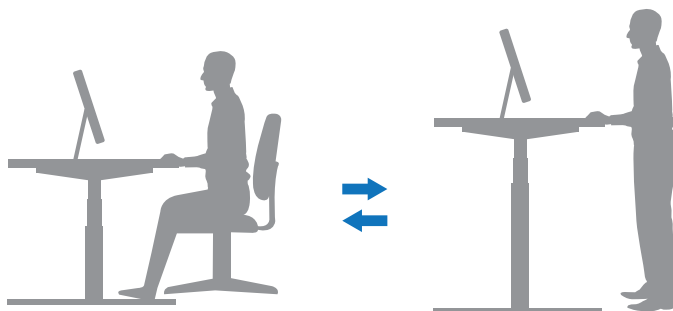


**Height Adjustment with Controller**  
Effortlessly adjust from 730~1230mm.



### Manual Width Adjustment

Increase or decrease width easily from 840~1300mm to fit a variety of small rooms or workspaces.



Easily switch between sitting and standing.

Art-No.	Color	EAN Code
EO0029	Black	4052792059977
EO0029G	Grey	4052792059984
EO0029W	White	4052792059991



\*The specifications and pictures are subject to change without prior notice.  
\*All trade names referenced are the registered trademarks of their respective owners.



### Specification:

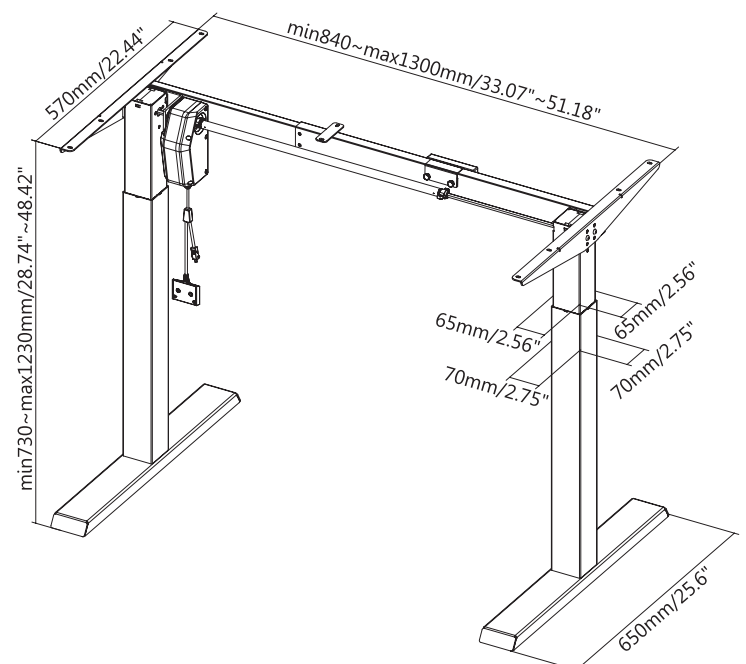
Function	Electric Sit-Stand Desk Frame
Motor Quantity	1
Material	Steel, Aluminum, Plastic
Height Range	730~1230mm
Width Range	840~1300mm
Power Input	100~240V
Power Cord Length	3m
Max. Speed	38mm/s
Operating Temperature	-5°C~40°C
Max. Speed	38mm/s
IP Grade	IP20
Tabletop Thickness	≥25mm
Tabletop Size	1000~1600 x 650~850mm
Weight Capacity	70kg
Dimensions	840~1300 x 650 x 730~1230mm

### Package Contents:

- » 1 x Sit-Stand Desk Frame
- » 1 x Screw Pack
- » 1 x User Manual

### Package Information:

- » Packing Dimension: mm
- » Packing Weight: kg
- » Carton Dimension: mm
- » Carton Q'ty: pcs
- » Carton Weight: kg



\*The specifications and pictures are subject to change without prior notice.  
 \*All trade names referenced are the registered trademarks of their respective owners.