



LogiLink®

Electric Sit-Stand Mobile Workstation

Art. No.: EO0050
EO0050W



Create Your Ideal Ergonomic Workstation

The mobile sit-stand workstation for office, school and home. Elevates your workspace to a comfortable height from sitting to standing, and move to anywhere you like.

Art-No.	Color	EAN Code
EO0050	Black	4052792071245
EO0050W	White	4052792071252



*The specifications and pictures are subject to change without prior notice.
*All trade names referenced are the registered trademarks of their respective owners.

Eco-Friendly Particle Board

features heavy-duty and moisture resistance.
(TSCA Title VI compliant)



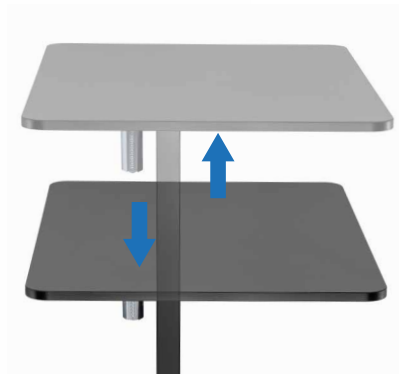
Sturdy Steel Construction

Better strength and durability.



Tactile Button Controls

Provide quick and effortless transitions.



Powerful Motor

Steady and quiet height adjustment.



Durable Locking Casters (2 of 4 casters)

Ensures Stability and mobility.

Specification:

Product Type	Electric Sit-Stand Desk
Motor Quantity	1
Material	Particle board, melamine, steel, plastic
Column Segments	2-stage columns
Height Range	740–1140 mm
Dimensions	800 x 600 x 740–1140 mm
Suggest Tabletop Size	800 x 600 x 16 mm
Tabletop Thickness	16 mm
Weight Capacity	40 kg
Power Input	230 V
Power Cable Length	1.8 m

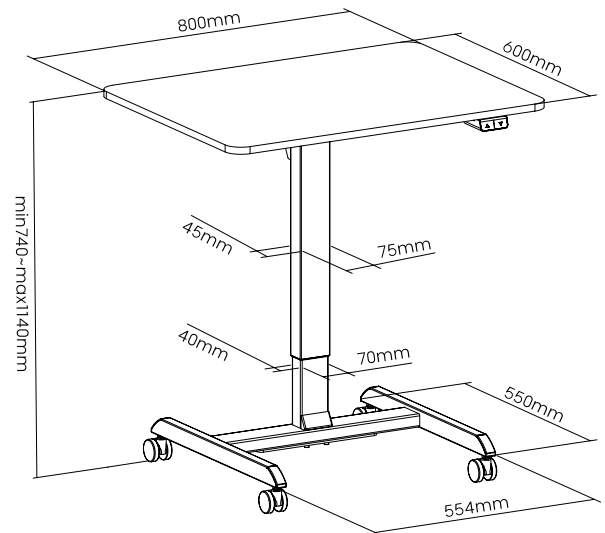
Controller Type	Button Control Panel
Max. Speed	25 mm/s
Casters	4 casters (2 with locks)
Protection	IP20
Operating Temperature	-5–40°C

Package Contents:

- » 1 x Workstation
- » 1 x Screw Pack
- » 1 x User Manual

Package Information:

- » Packing Dimension: 888 x 750 x 140 mm
- » Packing Weight: 17.5 kg
- » Carton Dimension: 888 x 750 x 140 mm
- » Carton Q'ty: 1 pc
- » Carton Weight: 17.5 kg



*The specifications and pictures are subject to change without prior notice.
 *All trade names referenced are the registered trademarks of their respective owners.