



LogiLink®

Universal Smartphone Holder for Bicycle

Art. No.: AA0168

Keep Your Phone Accessible While Riding

This smartphone holder is designed to secure your device safely and enhance your riding experience. Universal design, compatible with $\varnothing 1.5\text{--}2.7\text{ cm}$ handlebars. Effortlessly mount or unmount your phone, enjoy the convenience on the go.



4.6-7"
Smartphones



Shockproof



360°
Rotation

Anti-Shake & Anti-Drop



Sturdy & Secure

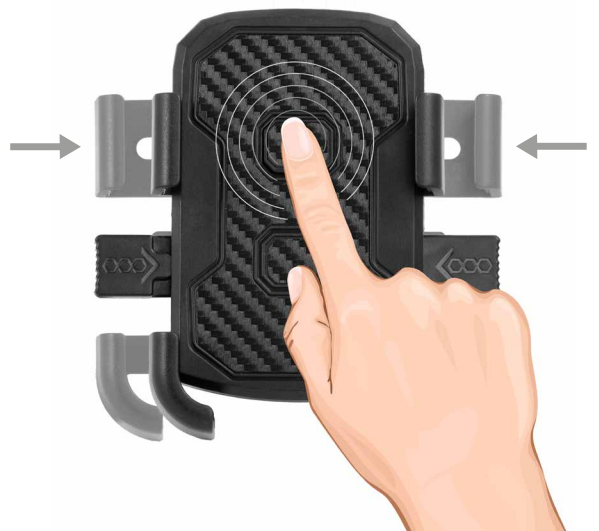
Securely grip your phone's corners with strong claws; providing stability and protection against shaking and scratches.

Even in emergency braking, bumpy road or sharp curves, the phone holder and the handlebars are firmly connected and cannot come loose when cycling.



One Hand Operation, Easy to Use

The claws automatically grip your phone when you press it on the center trigger. Easily squeeze the release bar to release while you unmount your phone.



360°
Rotation



Free Rotation

Freely adjust the phone mount for the perfect viewing angle (horizontally, vertically, or any angle you desire), ideal companion for your cycling journey.



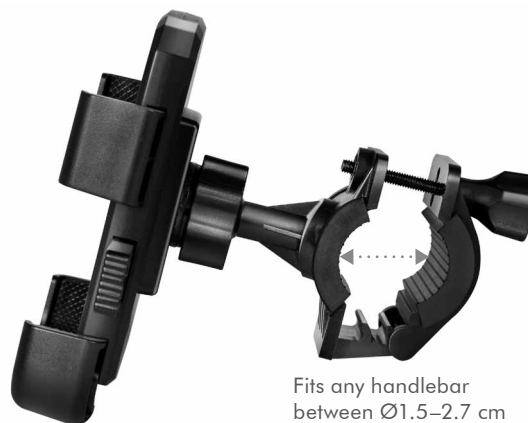
Wide Range of Usage

Fits on any bicycle, motorcycle, stroller, treadmill, shopping cart, scooter, wheelchair and other round handlebars. Allows your smartphone to always be firmly held in place along your journey.



Tool-free Installation

Easily mounting it to a handlebar with adjustment screw; Securely fits most handlebars ($\varnothing 1.5-2.7$ cm).



Fits any handlebar
between $\varnothing 1.5-2.7$ cm

Package Contents:

- » 1x Smartphone Bicycle Holder
- » 1x Connector
- » 1x User Manual

Package Information:

- » Packing Dimension: 134 x 67 x 137 mm
- » Packing Weight: 0.14 kg
- » Carton Dimension: 555 x 345 x 290 mm
- » Carton Q'ty: 40 pcs
- » Carton Weight: 6 kg



*The specifications and pictures are subject to change without prior notice.
*All trade names referenced are the registered trademarks of their respective owners.



AA0168



Made in China