

LogiLink®



Tabletop Projector Stand

Art. No.: BP0142



Gives You a Convenient and Flexible Presentation

The Tabletop Projector Stand is well-designed comes with a large and adjustable base to hold your projector firmly and safely. The rubber pads prevent skidding and protect your projector from falling. Great for making an excellent presentation at the office and at school.

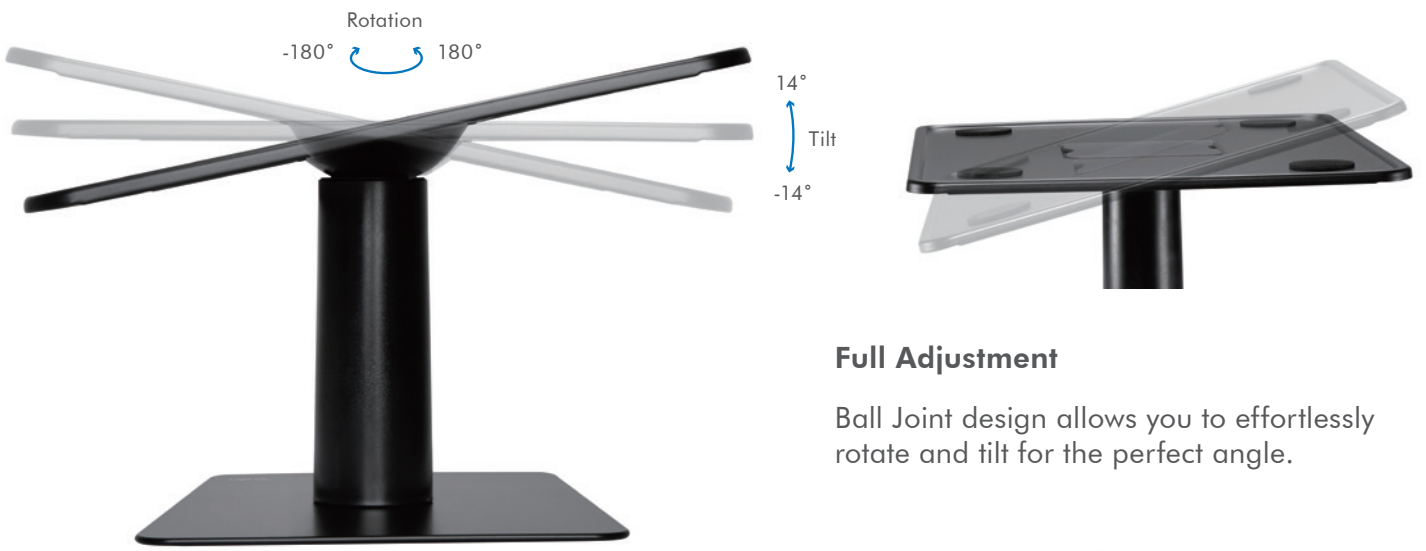
Rotation



Tilt



*The specifications and pictures are subject to change without prior notice.
*All trade names referenced are the registered trademarks of their respective owners.



Full Adjustment

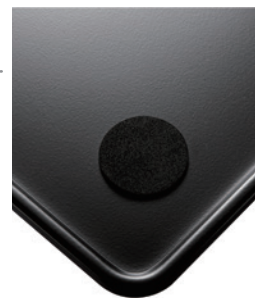
Ball Joint design allows you to effortlessly rotate and tilt for the perfect angle.

Durable Construction

Heavy duty steel construction provides stability and safety for your devices up to 10 kg.

Versatile Use

The large solid base is equipped with rubber pads to provide a non-slip platform. Ideal for raising your projector, laptop, monitor or desktop speaker.



LogiLink®



Tabletop Projector Stand

Art. No.: BP0142

Specifications:

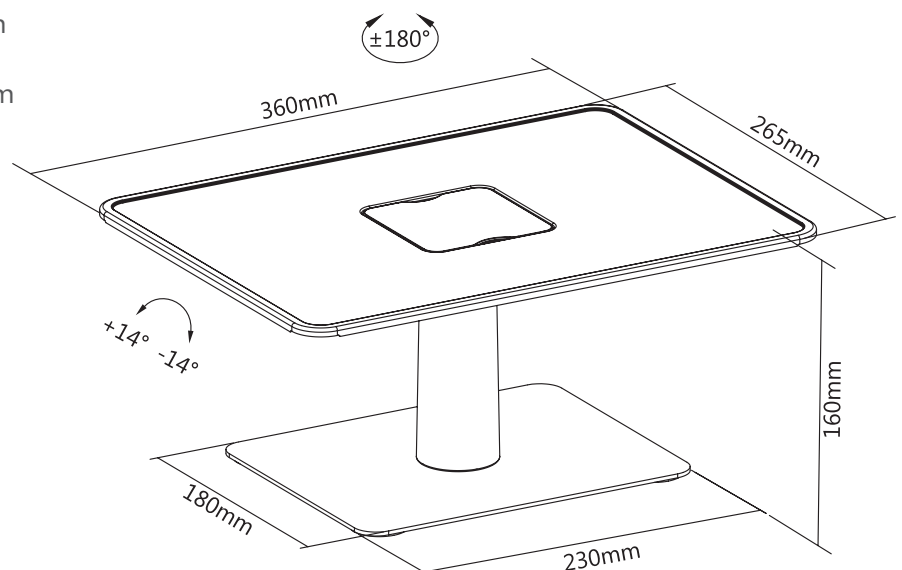
Material	Steel and Plastic
Weight Capacity	10 kg
Tilt	-14°/+14°
Rotation	-180°/+180°
Color	Black
Dimensions	36x26.5x16 cm

Package Contents:

- » 1x Tabletop Projector Stand
- » 1x Screw Package
- » 1x User Manual

Package Information:

- » Packing Dimension: 300x57x435 mm
- » Packing Weight: 2.46 kg
- » Carton Dimension: 590x450x320 mm
- » Carton Q'ty: 10 pcs
- » Carton Weight: 25.69 kg



*The specifications and pictures are subject to change without prior notice.
*All trade names referenced are the registered trademarks of their respective owners.



Made in China