



LogiLink®

Sit-Stand Desk Frame Face to Face

Art. No.: EO0049



Create an Ergonomic & Healthy Workstation

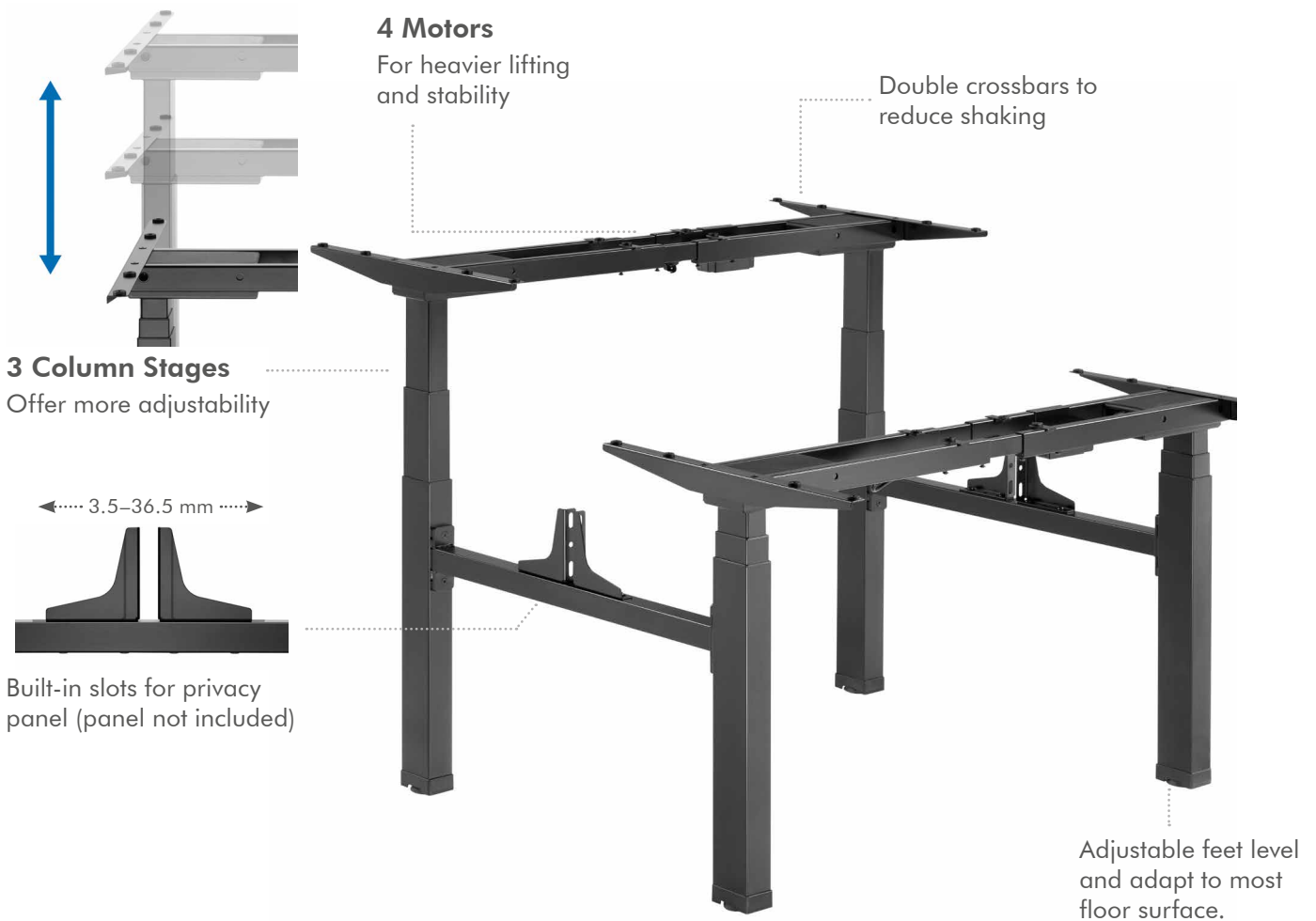
The face-to-face sit-stand desk frame for office, school and home. Works independently with control panel to elevate the height from sitting to standing, and vice versa.



*The specifications and pictures are subject to change without prior notice.
*All trade names referenced are the registered trademarks of their respective owners.



Made in China

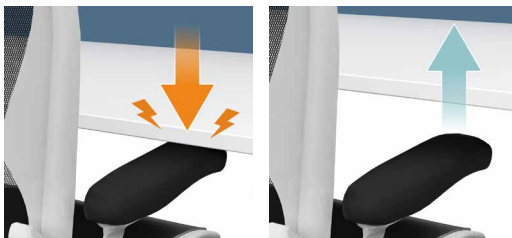


Digital LED Memory Controller

Easily adjust the height with 3 programmable height presets in minimum noise level.

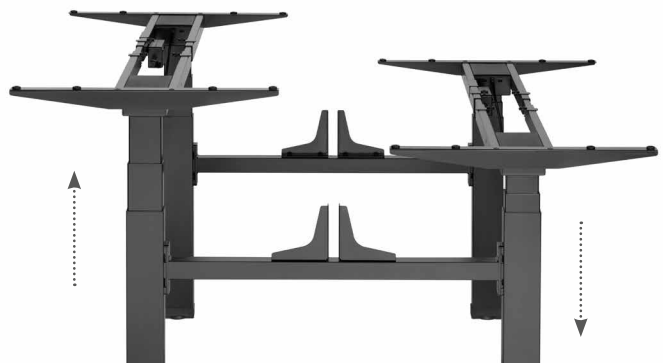
Sit/Stand Time Reminder

Switch between sitting and standing with time reminder function.



Safety Collision Avoidance System

If the desk hits an object, it will move in the opposite direction upward (downward) for about 3 cm.



*The specifications and pictures are subject to change without prior notice.
*All trade names referenced are the registered trademarks of their respective owners.



Made in China



Adjustable Width

Fits a variety of desk-top shapes and sizes.

Specification:

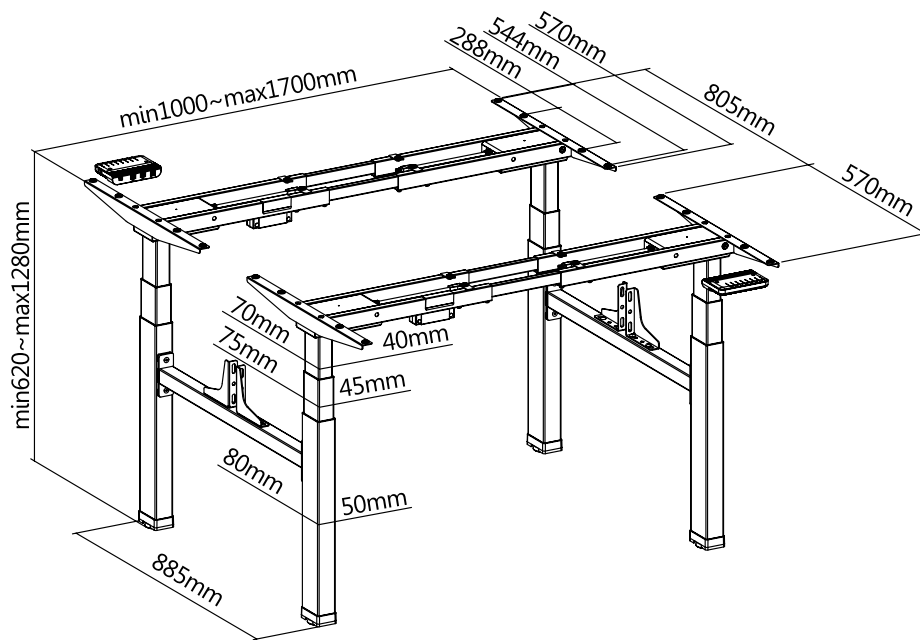
| | |
|-----------------------|--------------------------------|
| Product Type | Electric Sit-Stand Desk Frame |
| Motor Quantity | 4 |
| Material | Steel, aluminum, plastic |
| Column Segments | 3 stage columns |
| Width Range | 1000–1700 mm |
| Height Range | 620–1280 mm |
| Dimensions | 1000–1700 x 1375 x 620–1280 mm |
| Frame Orientation | Back to Back |
| Suggest Tabletop Size | 1100–2200 x 700–750 mm |
| Tabletop Thickness | ≥18 mm |
| Weight Capacity | 100 kg x2 |
| Leg Quantity | 4 legs |
| Adjustable Feet Pad | Yes |
| Power Input | 230 V |
| Power Cable Length | 3 m |
| Max. Speed | 38 mm/s |
| Controller Type | Button Control Panel |
| Time Reminder | Yes |
| Operating Temperature | -5–40°C |
| Protection | IP20 |
| Frame Color | Black |



*The specifications and pictures are subject to change without prior notice.
*All trade names referenced are the registered trademarks of their respective owners.



Technical Drawing:



Package Contents:

- » 1x Sit-Stand Desk Frame
- » 1x Digital Controller
- » 1x Screw Package
- » 1x User Manual

Package Information:

| | |
|-------------------|--|
| Packing Dimension | 1 of 2: 1140 x 340 x 135 mm 2 of 2: 1140 x 340 x 135 mm |
| Packing Weight | 1 of 2: 26.23 kg 2 of 2: 26.23 kg |
| Carton Dimension | 1 of 2: 1140 x 340 x 135 mm 2 of 2: 1140 x 340 x 135 mm |
| Carton Q'ty | 0.5 pc |
| Carton Weight | 1 of 2: 26.23 kg 2 of 2: 26.23 kg |



*The specifications and pictures are subject to change without prior notice.
*All trade names referenced are the registered trademarks of their respective owners.



Made in China