

HDMI EDID Emulator

VC081

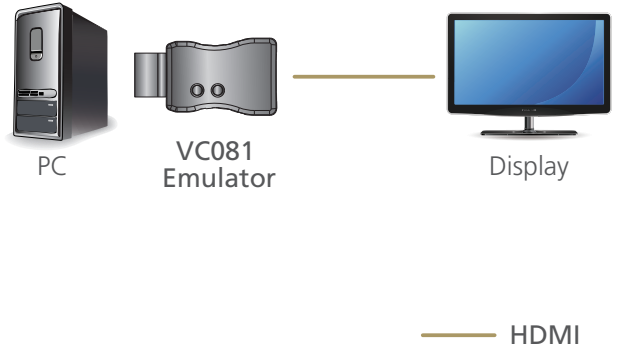
- The VC081 HDMI EDID emulator is designed to overcome EDID related problems which can occur when used with AV or KVM extenders, switches, and splitters. By learning the EDID from the HDMI display and relaying it to the video source, the VC081 can effectively resolve video communication problems that occur when EDID data between the HDMI video source and display are not correctly synchronized. Moreover, after the display's EDID is learned, VC081 can be used in place of a monitor to keep a PC or Server awake for remote access via IP.

For product application, VC081 is an ideal tool for wiring installation in traffic stations and commercial centers.



Features

- Manages EDID communication between connected devices
- Effectively learn the EDID from the HDMI display and relay it to the video source
- HDMI 2.0 (3D, Deep Color, 4K); HDCP 2.2 compliant
- Superior video quality – up to True 4K (3840 x 2160 @ 60Hz 4:4:4)
- LED indicators to show device status
- Powered by HDMI source
- Compact and lightweight design



Specifications

Function	VC081
Video Input	
Interfaces	1 x HDMI Type A Male (Black)
Impedance	100 Ω
Video Output	
Interfaces	1 x HDMI Type A Female (Black)
Impedance	100 Ω
Video	
Compliance	HDMI 2.0 (3D, Deep Color) HDCP 2.2 Compatible Consumer Electronic Control (CEC)
EDID Settings	EDID Mode: Default / Learning
Connectors	
Power	Bus-powered (5 VDC from source device)
LEDs	
Power	Power status (Green x 1)
Status	Learning (Blue x 1)
Power Consumption	DC5V: 0.25W
Environmental	
Operating Temperature	0 - 50 °C
Storage Temperature	-20 - 60 °C
Humidity	0 - 80% RH, Non-Condensing
Physical Properties	
Housing	Plastic (ABS)
Weight	0.1 kg
Dimensions (L x W x H)	4.40 x 1.18 x 2.40 cm

Product information is subject to change without prior notice.

ATEN International Co., Ltd.

3F., No.125, Sec. 2, Datong Rd., Sijhih District., New Taipei City 221, Taiwan
 Phone: 886-2-8692-6789 Fax: 886-2-8692-6767
 www.aten.com E-mail: marketing@aten.com

Publish Date: 12/2018 V1.0



© Copyright 2018 ATEN® International Co., Ltd.
 ATEN and the ATEN logo are trademarks of ATEN International Co., Ltd.
 All rights reserved. All other trademarks are the property of their respective owners.