

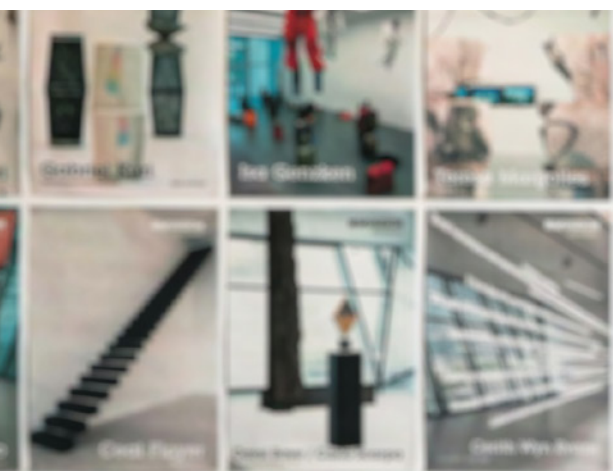


LogiLink®

Height Adjustable Mobile Display Cart

For 32"-55" TV

Art. No.: BP0121



Move Your Media Center From Room to Room

Conveniently roll the media cart between rooms, at school or the office. A perfect combination of functional design, quality and value.



*The specifications and pictures are subject to change without prior notice.
*All trade names referenced are the registered trademarks of their respective owners.



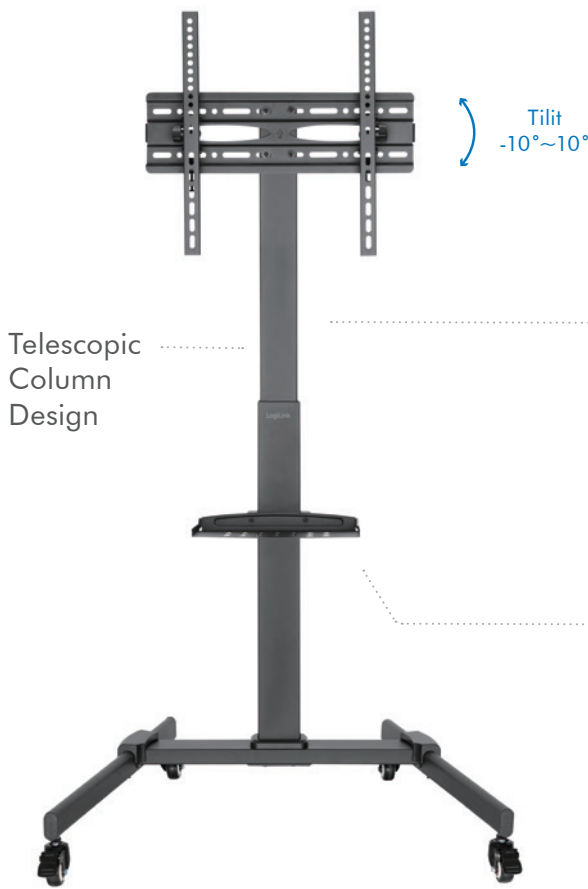
Best Connectivity

LogiLink®

Height Adjustable Mobile Display Cart

For 32"-55" TV

Art. No.: BP0121



Telescopic Column Design

Tilt -10°~10°



8 Positions

Adjust Your Display with Ease

Quickly and easily adjust to the desired height with an effortless spring lock (8 Positions).

Media Shelf- 5kg Capacity

Store media equipment, gaming consoles, laptops and other media accessories.

Durable Construction

High-quality steel frame ensures durability and stability; ideal for commercial environments with multiple users and frequent movement between meeting areas.



Heavy Duty Casters with Locks

Equipped with four heavy-duty casters to easily move the TV cart from one place to another. Locking mechanisms easily allow the cart to be stationary or mobile.



Integrated cable management



*The specifications and pictures are subject to change without prior notice.
*All trade names referenced are the registered trademarks of their respective owners.



Made in China

LogiLink®

Height Adjustable Mobile Display Cart

For 32"-55" TV

Art. No.: BP0121



Specifications:

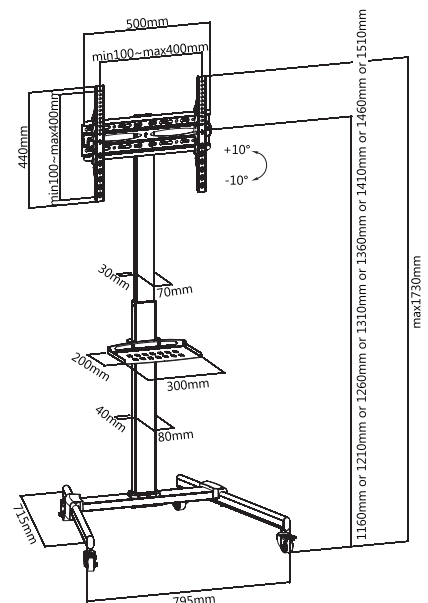
Screen Size	32"-55"
TV Weight Capacity	35kg
Media Shelf Weight Capacity	5kg
Tilt	-10°~10°
Height Adjustable Range	8 height range: 1160mm/1210mm/1260mm/1310mm/1360mm/1410mm/1460mm/1510mm
Column Size	Main Column: 80 x 40 x 1.5 x 740mm Extension Column: 70 x 30 x 1.5 x 850mm
VESA	100x100, 200x100, 200x200, 300x200, 300x300, 400x200, 400x300, 400x400
Material	Steel, Plastic
Color	Black
Base Type	Caster
Direction Indicator	Yes
Dimensions	795 x 715 x 1730mm

Package Contents:

- » 1 x Display Cart
- » 1 x Screw Package
- » 1 x User Manual

Package Information:

- » Packing Dimension: mm
- » Packing Weight: kg
- » Carton Dimension: mm
- » Carton Q'ty: pcs
- » Carton Weight: kg



*The specifications and pictures are subject to change without prior notice.
*All trade names referenced are the registered trademarks of their respective owners.

