



LogiLink®

Heavy-Duty Gas Spring
Monitor Desk Mount
for 17–57" Flat & Curved Monitor

Art. No.: BP0202

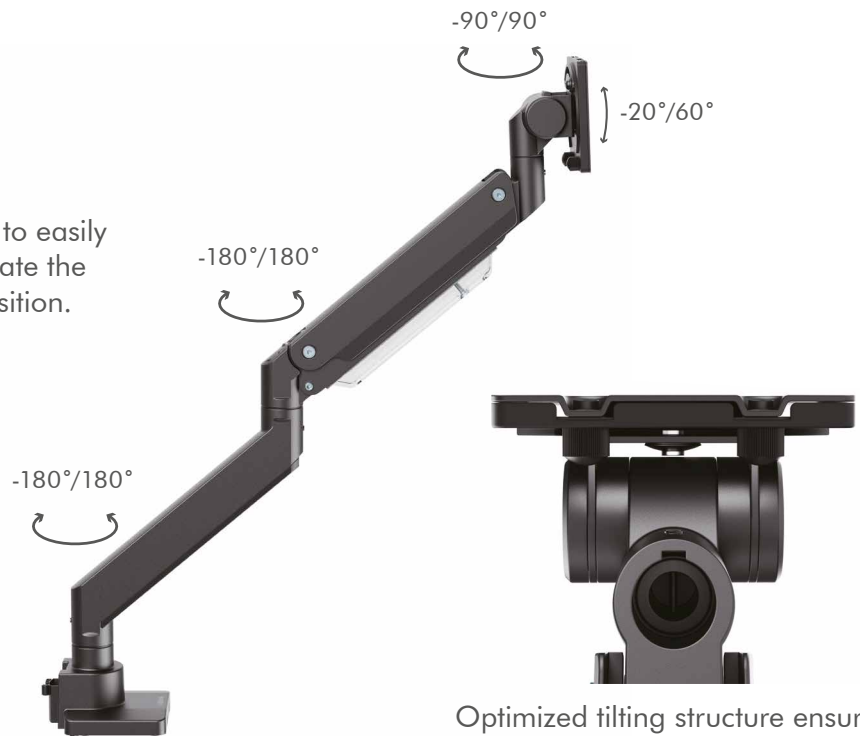


Raise Your Monitor & Free Up Desk Space

Designed with a robust structure and reliable spring mechanism, this Monitor Desk Mount confidently holds up to 27 kg and 17–57" ultrawide flat and curved screens.

Bringing the Best View Angle

Built-in spring-assisted mechanism to easily move up and down; while tilt or rotate the monitor to your desired viewing position.

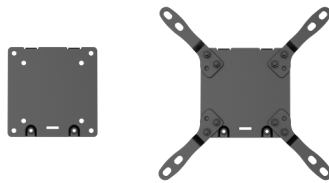


Optimized tilting structure ensures smooth and safe adjustments

Quick & Easy Installation



Quick release VESA plate for easy installation and removal.



VESA adapter included to fit monitors with different VESA patterns.

Topside installation, no more crawling under desks.



Durable & Steady Construction

The high-quality mount ensures durability and stability; supporting monitor weights up to 27 kg. Integrated cable management creates a clean and tidy appearance.



*The specifications and pictures are subject to change without prior notice.
*All trade names referenced are the registered trademarks of their respective owners.



Made in China

Clamp or Grommet Mounting

The monitor mount can be installed with clamp or grommet mounting.



Specifications:

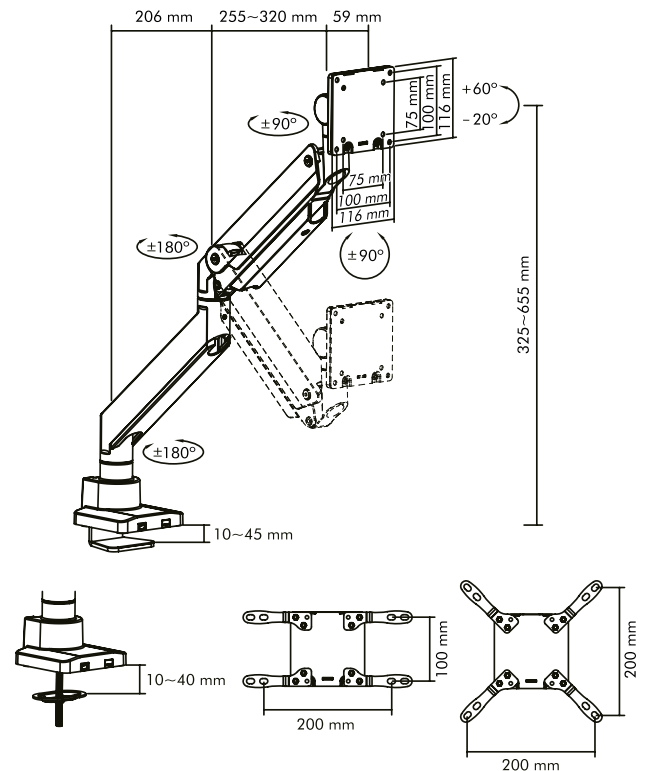
Screen Size	17–57" flat or curved monitor
Weight Capacity	Up to 27 kg for flat monitor; up to 22 kg for curved monitor
VESA Compatible	75x75, 100x100, 100x200, 200x100, 200x200
Arm Full Extension	52.6 cm
Tilt Range	+60°/-20°
Swivel Range	+90°/-90°
Screen Rotation	+90°/-90°
Materials	Aluminum, steel, plastic
Installation Methods	Desk clamp or grommet mount
Suggested Desktop Thickness	Clamp: 1–4.5 cm; Grommet: 1–4 cm
Cable Management	Yes
Dimensions	12 x 58 x 73 cm
Color	Black

Package Contents:

- » 1 x Monitor Desk Mount
- » 1 x Screw Package
- » 1 x User Manual

Package Information:

- » Packing Dimension: mm
- » Packing Weight: kg
- » Carton Dimension: mm
- » Carton Q'ty: pcs
- » Carton Weight: kg



*The specifications and pictures are subject to change without prior notice.
*All trade names referenced are the registered trademarks of their respective owners.



BP0202



4 052792 073300

Made in China